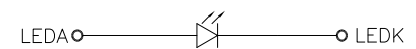
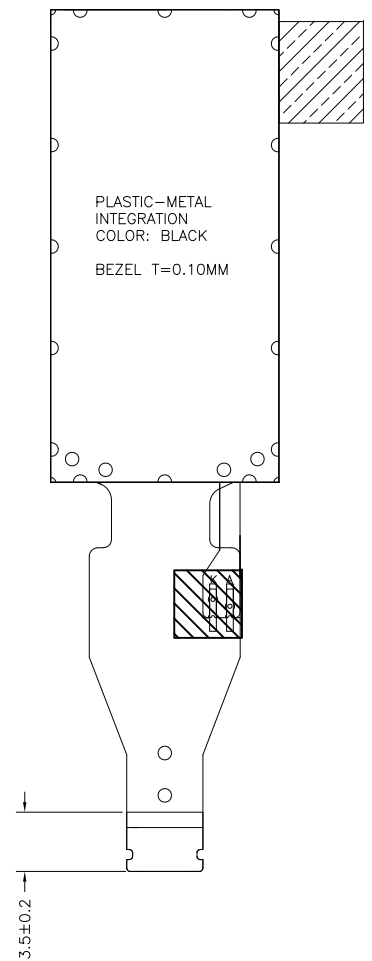
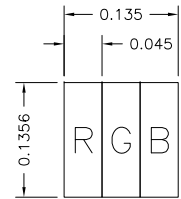
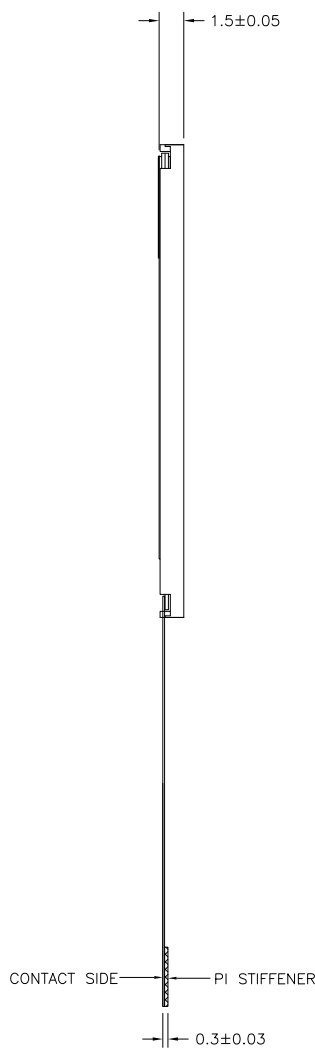
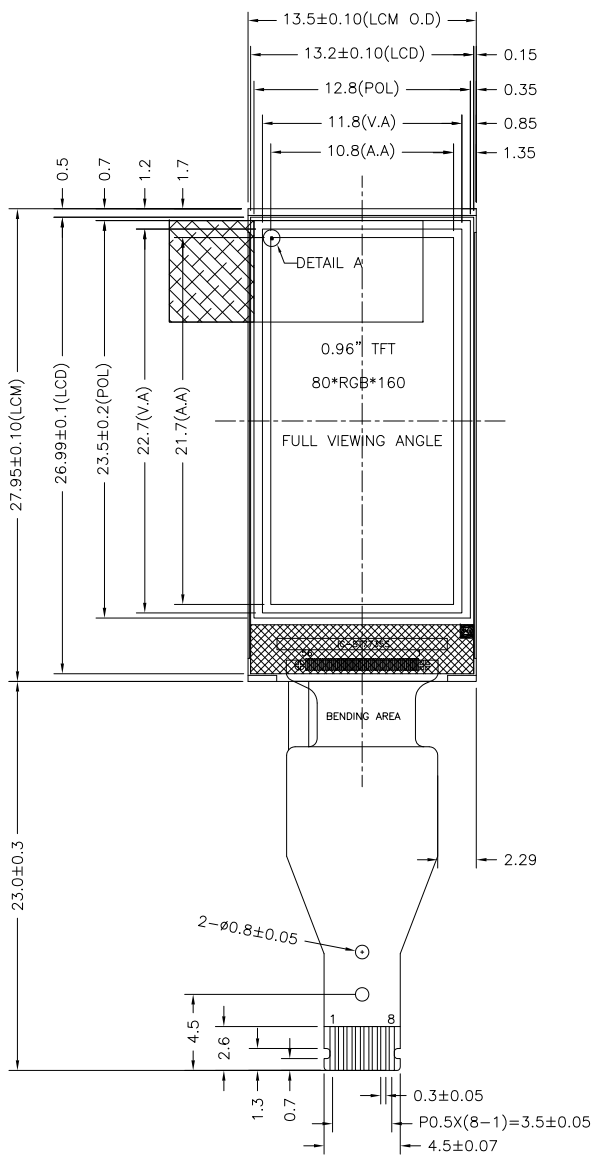


PIN DESCRIPTION

PIN	SYMBOL
1	LEDA
2	GND
3	RESET
4	RS
5	SDA
6	SCL
7	VDD
8	CS



BACKLIGHT CIRCUIT DIAGRAM

- NOTES:
1. DISPLAY TYPE: IPS TFT, TRANSMISSIVE, NORMALLY BLACK
 2. OPERATING VOLTAGE: VDD=2.8V
 3. VIEWING DIRECTION: FULL VIEWING ANGLE
 4. IC DRIVER: ST7735S
 5. OPERATING TEMP.: -20°C ~ 70°C
 6. STORAGE TEMP.: -30°C ~ 80°C
 7. LED BACKLIGHT: 1-CHIP WHITE LED, If=20mA, Vf=2.9~3.1V
 8. TOP POLARIZER SURFACE TREATMENT: ANTI-GLARE
 9. SURFACE LUMINANCE: 400CD/M²(TYP)
 10. MATED CONNECTOR: FH19SC-08S-0.5SH
 11. GENERAL TOLERANCE: ±0.2MM
 12. ROHS COMPLIANT

MIT MULTI-INNO TECHNOLOGY CO., LTD.

DRAWN BY:	CAROL 2020.09.03		MODULE P/N:
CHECKED BY:		SCALE : 1/1	MIO096C1T-2
APPROVED BY:		UNIT: mm	DESCRIPTION:
VER. NO:	01	SHEET NO.: 1/1	TFT MODULE

01	FIRST ISSUE	CAROL	2020.09.03	APPROVED BY:
VER.	REVISED DESCRIPTION	REVISER	DATE	VERSION NO: